

## EVK LABORATORY STATION FOR HELIOS CORE and CLASS

- IDEALLY SUITED FOR FIRST TRIALS
- FAST DEVELOPMENT OF NEW APPLIATIONS
- PLUG AND PLAY HYPERSPECTRAL IMAGING SYSTEM

### DESCRIPTION

The starter kit makes it easy to analyze whether Hyperspectral Imaging (HSI) is the best choice for your application and to continually expand Hyperspectral imaging for new Applications and project definitions. One places the items onto the linear stage, take the HSI-data-cube of this scene and evaluate the data.

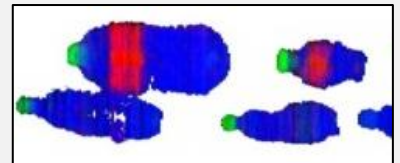
### KEY FEATURES

- Easy recording of HSI-data-cube
- appropriate illumination for Hyperspectral Imaging applications
- Motorized linear stage with adjustable speed
- Adjustable local resolution

### TYPICAL APPLICATIONS

The HELIOS STARTERKIT enables quick check of the potential of the Chemical Imaging Technology, based on HSI. Application possibilities are located in very different fields, starting from sorting of recycled materials, sorting of minerals, up to problems in food and pharmaceutical applications.

#### PRODUCT BRIEF



#### CUSTOMER BENEFITS:

- Ready to use Hyperspectral Imaging system
- Easy to use all in one system
- No hassle to design an own system consisting of illumination, HSI-camera, fore lenses, transportation unit, Software to steer the recording process, software to process the recorded data, etc.

#### TYPICAL APPLICATIONS:

Check and solve applications in the laboratory in the field of:

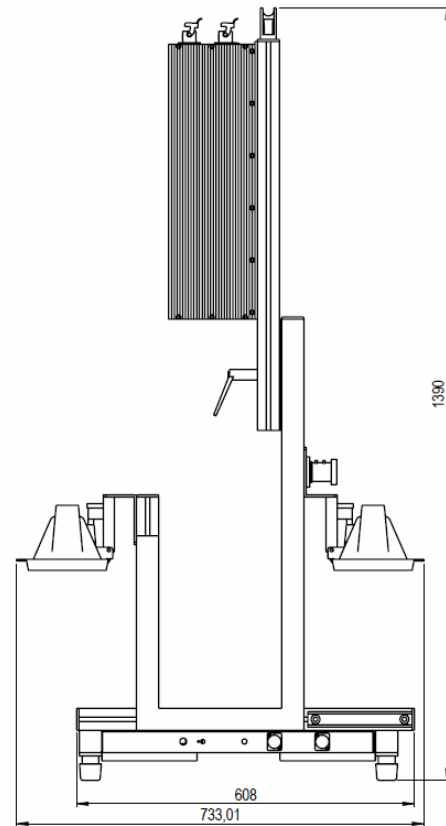
- Recycling of waste paper
- Recycling of plastic
- Sorting of minable ore
- Sorting and analyzing of food
- Pharmaceutical research
- In-line tablet inspection

## TECHNICAL DATA

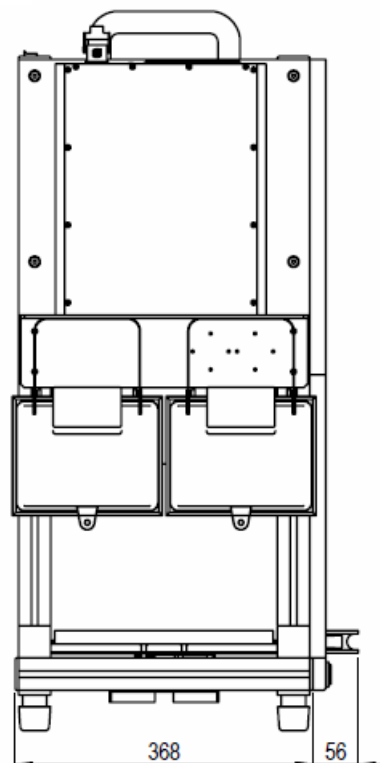
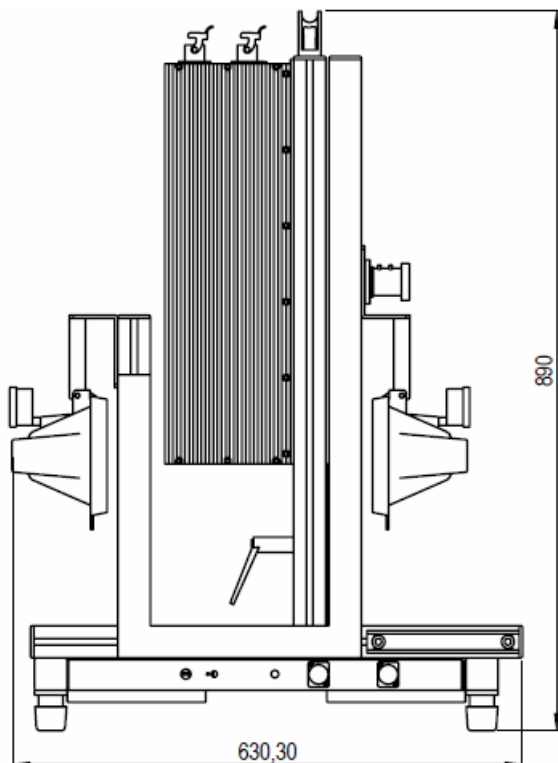
SUITABLE FOR	HELIOS NIR CORE, CLASS HELIOS SWIR CORE; CLASS
DIMENSIONS (L x W x H)	630 (730) x 430 x 890 ( 1390) mm
WEIGHT	Approx. 36 kg incl. HELIOS
GENERAL POWER REQUIREMENTS FOR INCLUDED DEVICES	100 – 240 V 50 – 60 Hz
OPERATING-DISTANCE HELIOS TO LINEAR STAGE (DEPENDING ON FORE LENSE)	268 to 868 mm
LINEAR STAGE: WORKING AREA (W x L)	270 x 290 mm
LINEAR STAGE: TRAVELING DISTANCE	Max. 250 mm
LINEAR STAGE: SPEED	Adjustable 0.08 to 0.4 m/ sec
ILLUMINATION	4 x 300 W Halogen
POWER SUPPLY FOR ILLUMINATION (INCLUDED)	Adjustable 0 to +230V DC +/-15%
POWER SUPPLY FOR HELIOS & MOTOR OF LINEAR STAGE (INCLUDED)	+24V DC +/- 15%

## MECHANICAL DIMENSIONS (mm)

For TOP position



## MECHANICAL DIMENSIONS (mm)



## ORDER INFORMATION:

PRODUCT	HELIOS STK	ORDER NUMBER	AGX-14053
---------	------------	--------------	-----------